

WHITE SHUTTERS

1: DESIGN

3 x DESIGNS

Full height
Tier on tier
Tposts

2 x LOUVRE SIZES

Medium 64mm
Large 89mm

2 x CONTROLS

Central rod
Hidden rod

2 x HINGE COLOURS

White
Stainless

2: SIZE LIMITATIONS

MINIMUM PANEL SIZES

Min width 196mm
Min height 452mm

MAXIMUM PANEL SIZES

Max width 2449mm (Full height)
Max width 2087mm (Tier on Tier)
Max width 3730mm (Tposts)
Max height 3023mm

TPOSTS

Min panel width 160mm
Min width 670mm (1 Tpost)

TPOSTS

Max panel width between Tposts 600mm
Max frame width 3730mm (3 Tposts)

MINIMUM RAIL HEIGHTS

Min rail height 64mm louvre = 323mm
Min rail height 89mm louvre = 423mm

RAIL LIMITS

Max number of rails in any one panel = 2
Max distance between any two rails = 1270mm

3: RAIL SIZES

RAIL WIDTHS

64mm louvres have 94mm wide rails
89mm louvres have 65mm wide rails
Top/Bottom rails will vary between 90-141mm
Thickness 25mm

NUMBER OF RAILS

Heights 0-1570mm do not require a rail
Heights 1571 - 2285mm require 1 rail
Heights 2286-3000mm require 2 rails

RAIL HEIGHT TOLERANCE

64mm = +/- 25mm
89mm = +/- 38mm

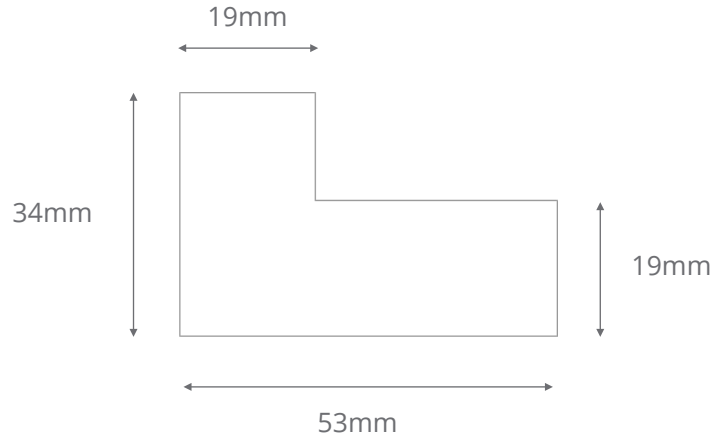
SHUTTER STILE SIZE

Stile width 44mm
Stile depth 32mm

4: FRAME & LOUVRE SIZE

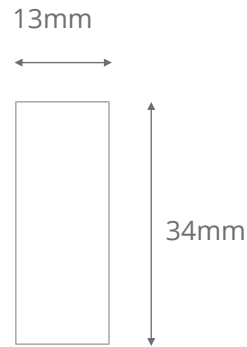
FRAME SIZE

Front width 19mm
 Depth 53mm
 Back width 34mm
 Light stop depth 19mm
 Light stop width 14mm
 Rebate depth 34mm



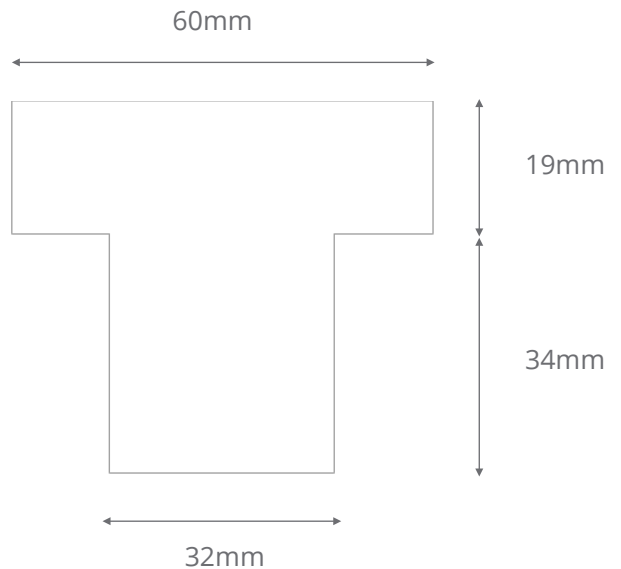
EXTENSION SIZES

Width 34mm
 Depth 13mm
 Max number 4 per frame



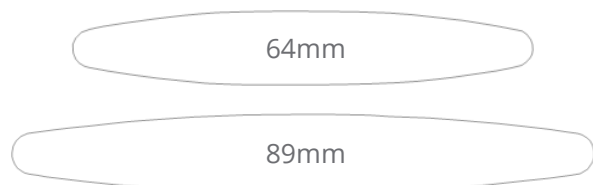
TPOST SIZE

Font width 32mm
 Back width 60mm
 Light stop depth 19mm
 Light stop width 1mm
 Rebate depth 34mm
 Depth 53mm



LOUVRE SIZE

64mm
 89mm



5: LOUVRE PROTRUSION

LOUVRE PROTRUSION 89MM

- Panel only = - 29mm
- L Frame = - 9mm
- 1 extension = 4mm
- 2 extensions = 17mm
- 3 extensions = 30mm
- 4 extensions = 43mm

LOUVRE PROTRUSION 64MM

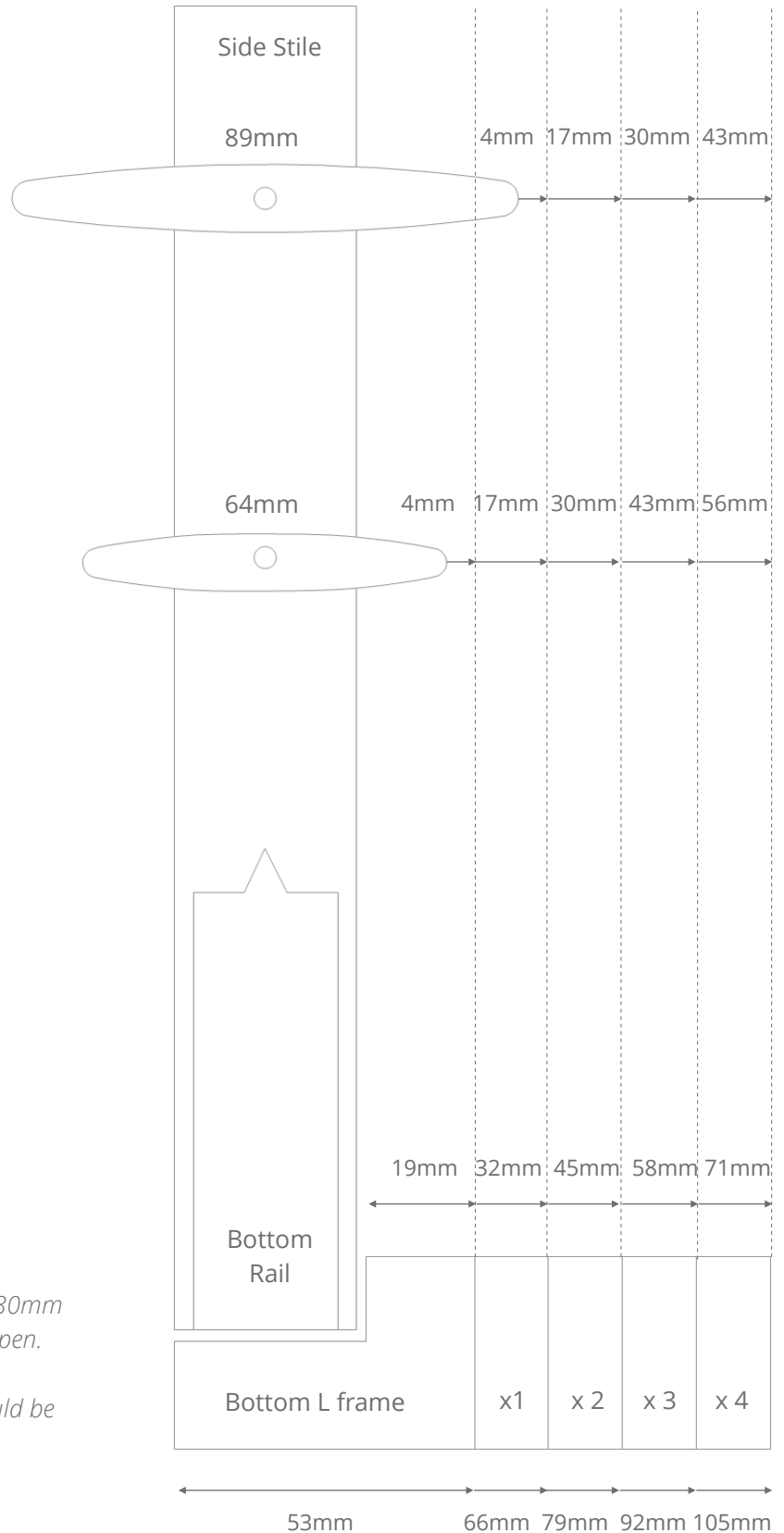
- Panel only = 16mm
- L Frame = 4mm
- 1 extension = 17mm
- 2 extensions = 30mm
- 3 extensions = 43mm
- 4 extensions = 56mm

EXAMPLE

Large 89mm louvres with 3 extensions, will have 30mm of clearance behind the louvre blade when fully open.

The overall frame depth for this combination would be 92mm

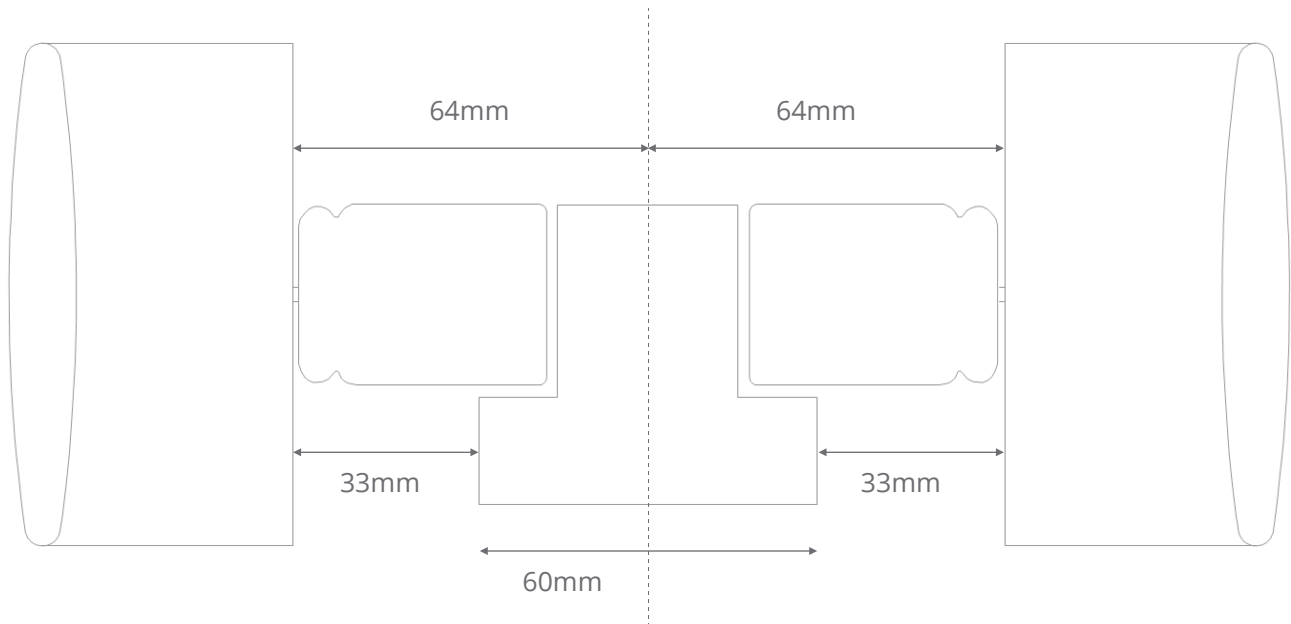
Side view



6: TPOST LOUVRE CLEARANCE

CROSS SECTION DRAWING OF A TPOST AND LOUVRES

Shows the clearance between the louvre blades



7: TOOLS

SCREWS REQUIRED

Front fixing into the window

L frame = 20mm

+1 extension = 30mm

+2 extensions = 45mm

+3 extensions = 60mm

+4 extensions = 70mm

SIDE FIXING INTO THE RECESS

60mm

SUPPLIED IN THE BOX

Frame corner connectors

Cover caps

Tposts fixing blocks and screws

TOOLS REQUIRED

Pencil

Tape measure

Level

Hammer

Cordless drill/driver

Screw driver bit - PZ2

Square drive bit - T1 (For Tpost screws)

10mm drill bit - Main screw holes

Long 4mm drill bit - Pilot the screw holes

Wedges - Pack out the frame

Glue - Mitres